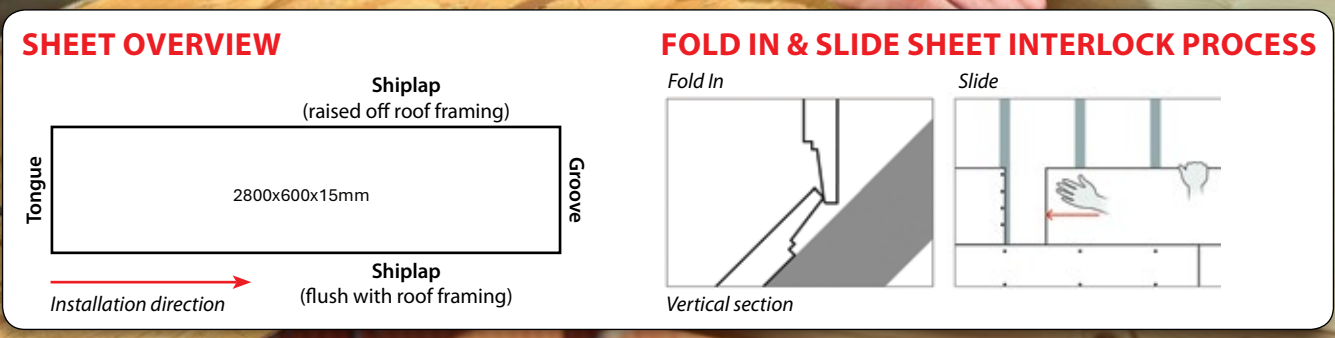


**FAST, EASY AND SAFE.**



### BENEFITS

- Fast & simple install
- Safe working surface
- Approved for BAL-FZ roof systems
- T&G end profile allows join between rafters
- Profiled all round for 2mm expansion gap
- Vapour Permeable OSB
- Narrow lightweight sheet size
- E0 formaldehyde rating
- Perfect substrate for Shingle/Zinc/Copper roofing

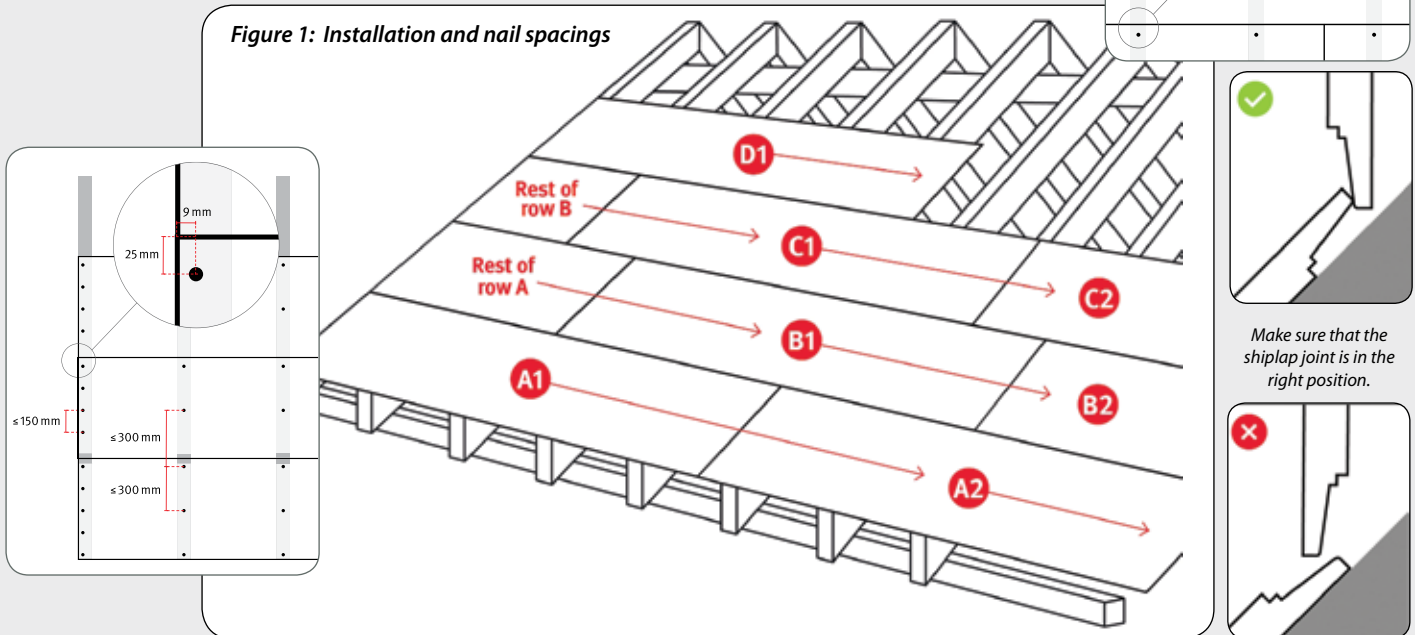


## INSTALLATION INSTRUCTIONS

### INSTALLATION

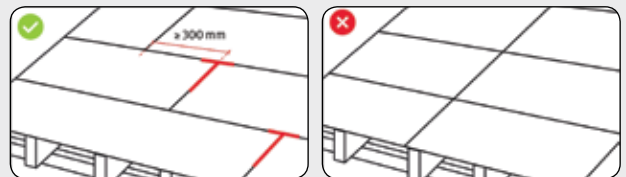
1. Roof Framing (rafters or trusses) is to be spaced at maximum 600mm centres.
2. Start with a full panel (A1) at one corner of the eave. Make sure the shiplap on the panels upper side is facing the carpenter, i.e. the print saying "this edge up" is visible.
3. Lay the panel horizontal with the short tongue edge fully supported. Never install the boards vertically.
4. Fix the board to the roof framing using one of the following recommended fasteners:
  - a) 8g x 45mm Type 17 countersunk head galvanised screws.
  - b) Paslode 2.87 x 50mm Galvanised Dekfast Impulse Nails.

*NOTE: Similar size countersunk head screws or ring/screw/twist shank nails are acceptable alternatives.*
5. Nail spacing and edge/end distances as per Figure 1 below are to be followed.
6. Lay the next panel (A2) and connect it to the previous one by firmly locking in the tongue and groove joint, then fix to the roof framing. The tongue and groove joint does not have to be over the top of a roof framing member. Continue with first row until complete.
7. Lay the next row (B), making sure the tongue and groove joints are staggered by at least 300mm. Offcuts from the previous row can be used if their length is at least 1.5 spans.
8. Continue laying sheets until the roof plane is completely covered.



### BAL-FZ INFORMATION

15mm OSB3 Roofing Board can be used as a substitute for 15mm plywood in the BAL-FZ roof systems outlined in AS 3959. This has been verified through RIR 23626A-9.1 (Sheet Metal Roof) and RIR 23987-5.1 (Concrete and Terracotta Tile Roof) from Warringtonfire Australia.



*Make sure there are staggered T-joints by minimum 300mm.*