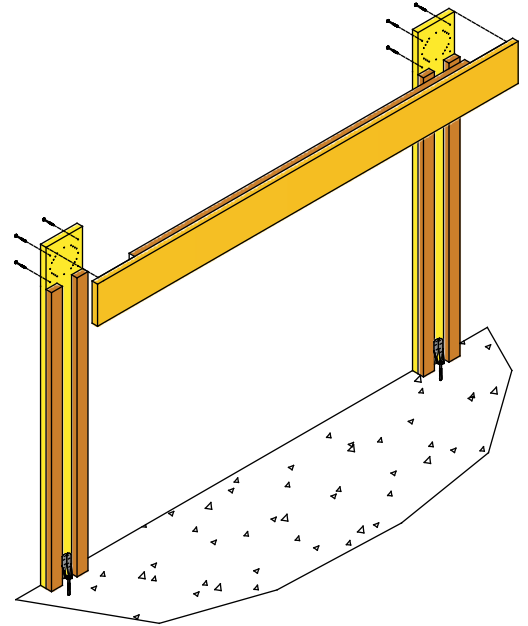


## BRACING SOLUTIONS FOR NARROW WALL PANELS

Multiple systems for bracing units in houses around openings.

### meyBRACE

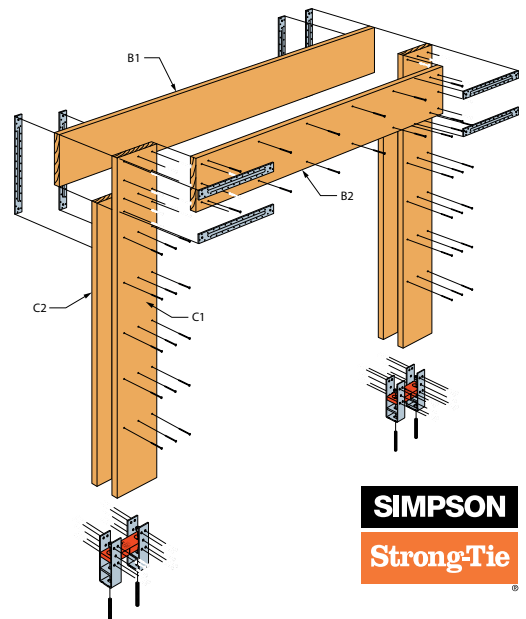
- Rigid frame provides high lateral capacities.
- Cost effective, supplied in cut to length kit form.
- Build into pre-fabricated wall frames or assemble on-site.
- Member sizes designed to suit opening and wall widths.
- Lintel design and cost included.
- Kit includes all connectors and anchors.
- Tie-down uses standard M12x150 XBolt.
- Certification provided.



### PORTAL FRAME SYSTEM (PFS)

- Single capacity for range of opening sizes.
- Accessories supplied as kit to use with nominal length LVL.
- Single portal solution with 90mm column one side.
- Lintel design and cost included.
- On-site assembly required.

*NOTE: PFS requires 400mm concrete slab depth for tie-down.*



**SIMPSON**  
Strong-Tie

Full specifications on PFS can be found at [www.strongtie.com.au](http://www.strongtie.com.au)

